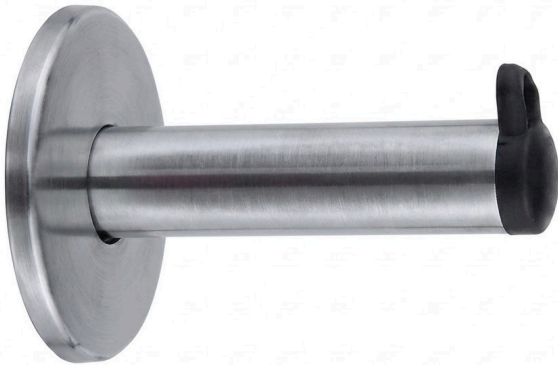


WPF-08



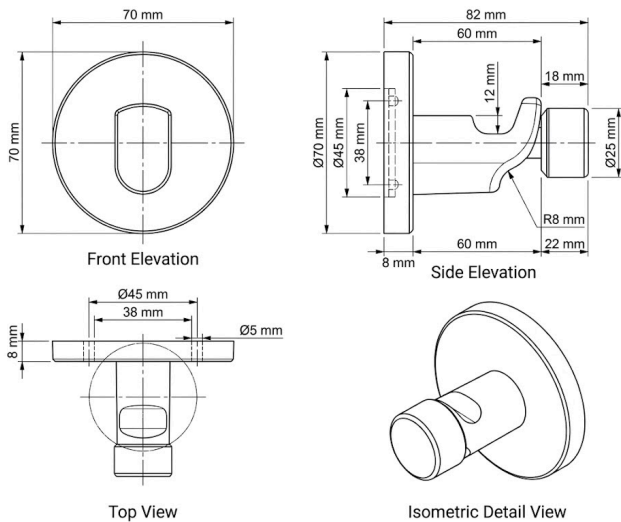
PRODUCT SPECIFICATIONS

- Finishes : **Stainless steel**
- Stainless steel with integrated rubber bumper.
- Mounting : **Wall-mounted with concealed flange.**
- Design : **Dual-purpose robe hook and door stop.**

DIMENSIONS

- Projection : **75 mm**
- Flange : **Ø50 mm × 4.5 mm**
- Shaft : **Ø16 mm**

TECHNICAL SPECIFICATIONS



COMPLIANT WITH

- Complies with Singapore BCA Accessibility Code.
- Install at 1100–1200 mm AFFL.
- Coordinate placement to maintain barrier-free clearance.
- Manufactured to SGBP and corrosion-resistant standards.



The Inspirione tap series sets the new benchmark for public restroom solutions. With the first actuation of the Smart Tap, soap is released and afterwards a smooth water flow for a clean, hygiene, and efficient handwashing.

The information contained in this document is subject to change without prior notice.