

SW229-3



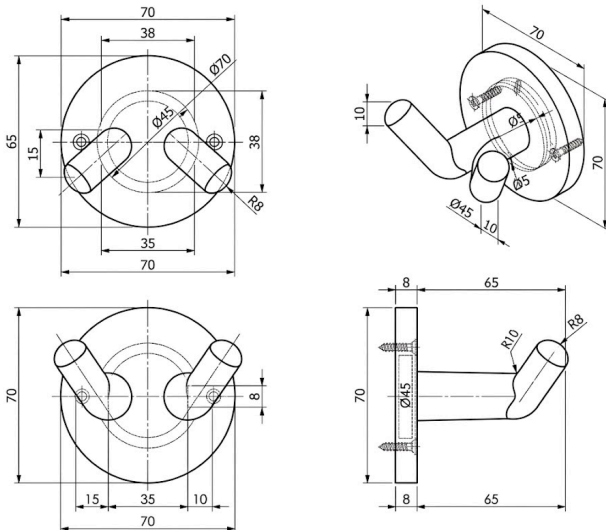
PRODUCT SPECIFICATIONS

- Finishes : **Polished Chrome**
- Mounting : **Wall-mounted with concealed flange.**
- Design : **Dual-prong hook for robes or towels.**

DIMENSIONS

- Flange Diameter : **Ø70 mm**
- Projection : **50 mm**
- Hook Height : **50 mm**
- Tolerance : **±2 mm**

TECHNICAL SPECIFICATIONS



COMPLIANT WITH

- Complies with Singapore BCA Accessibility Code.
- Install at 1100–1200 mm AFFL with 50 mm max projection.
- Manufactured to SGBP and anti-corrosion standards for humid environments.



The Inspirione tap series sets the new benchmark for public restroom solutions. With the first actuation of the Smart Tap, soap is released and afterwards a smooth water flow for a clean, hygiene, and efficient handwashing.

The information contained in this document is subject to change without prior notice.

Ecnflo Systems Pte Ltd
401 Commonwealth Drive Haw Par Technocentre #01-01 (S)149598 Tel : 6396 3738 | WhatsApp : 8661 5982

Living Atelier by Ecnflo Systems (Phnom Penh)
61-64 Norodom Blvd Corner St 306, Sangkat BKK1, Khan Chamkarmon, Phnom Penh, Cambodia Tel: +855 81 233 886