

PTD-IA01



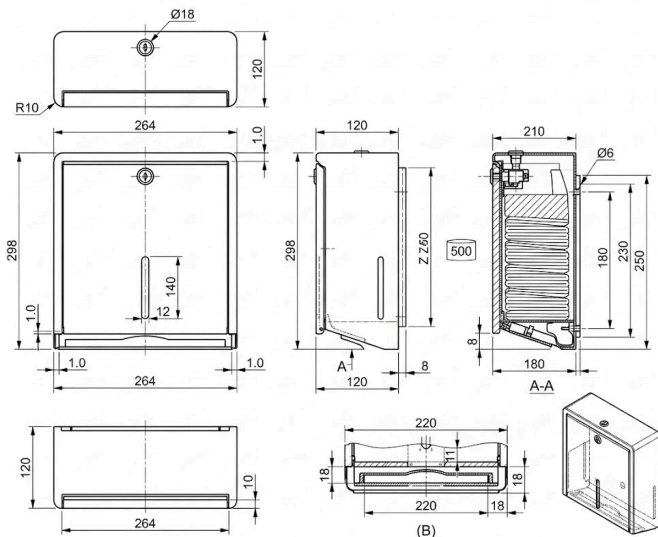
PRODUCT SPECIFICATIONS

- Finishes : **Satin**
- Type : **Wall-mounted paper towel dispenser.**
- Material & Finish : **AISI 304 stainless steel, satin finish with rounded corners.**
- Capacity : **500 Z-fold paper towels.**
- Security : **Lockable cylinder lock with refill indicator window.**
- Mounting : **Surface-mounted with 4 concealed fixing points.**

PRODUCT CONFIGURATION OPTIONS

- Surface-mounted AISI 304 stainless steel paper towel dispenser.

TECHNICAL SPECIFICATIONS



DIMENSIONS

- Size : **Ø63 × 193 H × 88 D mm.**
- Tolerance : **±2 mm.**

COMPLIANT WITH

- BCA Accessibility (Singapore): Mount operable part at 800–1000 mm FFL, within 600 mm of the basin edge.
- Operation: One-handed, low-force push action.
- Durability: Corrosion-resistant stainless steel construction.



The Inspirione tap series sets the new benchmark for public restroom solutions. With the first actuation of the Smart Tap, soap is released and afterwards a smooth water flow for a clean, hygiene, and efficient handwashing.

The information contained in this document is subject to change without prior notice.