

LNS82382



PRODUCT SPECIFICATIONS

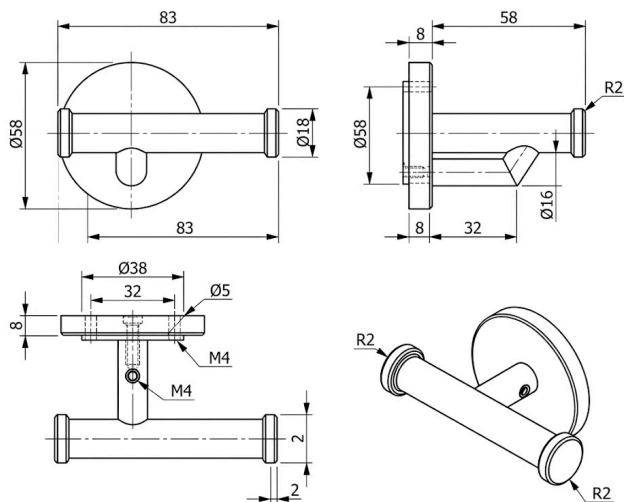
- Finishes : **Chrome**
- Brass

- Design : **Contemporary wall-mounted hook with concealed fixing.**

DIMENSIONS

- Overall Width : **83 mm.**
- Wall Projection : **58 mm.**
- Tolerance : **±2 mm.**

TECHNICAL SPECIFICATIONS



COMPLIANT WITH

- BCA Accessibility (Singapore): Install at 1100–1200 mm FFL in accessible washrooms.
- Safety: 58 mm projection minimizes protrusion hazards.
- Durability: Chrome-plated brass provides excellent corrosion resistance for humid environments.



The Inspirione tap series sets the new benchmark for public restroom solutions. With the first actuation of the Smart Tap, soap is released and afterwards a smooth water flow for a clean, hygiene, and efficient handwashing.

The information contained in this document is subject to change without prior notice.