

JC310



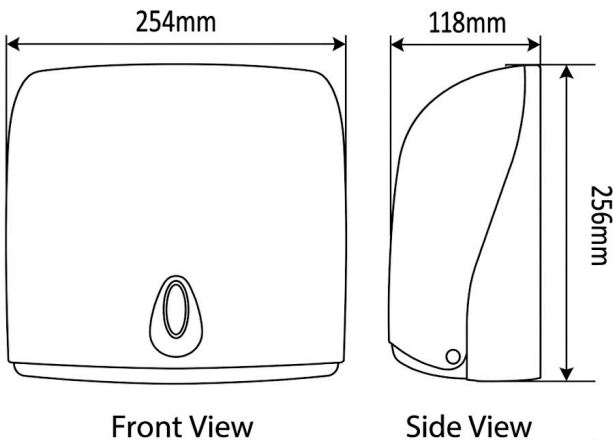
## PRODUCT SPECIFICATIONS

- Finishes : **White**
- Product Type : Surface-mounted multifold paper towel dispenser.
- Material : Premium virgin ABS.
- Capacity : 1–2 tissue packs.
- Compatibility : M-, C-, V-, Z-fold and interfold towels (max. 240 × 100 mm).
- Features : Key lock, viewing window, surface-mounted.

## DIMENSIONS

- Size : **256H × 254W × 118D mm.**
- Tolerance : **±2 mm.**

## TECHNICAL SPECIFICATIONS



## COMPLIANT WITH

- BCA Accessibility (Singapore): Dispensing slot at 800–1000 mm FFL and within 600 mm reach of the basin.
- NEA Guidelines: Enclosed dispenser minimizes cross-contamination.
- SGBP Standards: Durable, recyclable virgin ABS.



*The Inspirione tap series sets the new benchmark for public restroom solutions. With the first actuation of the Smart Tap, soap is released and afterwards a smooth water flow for a clean, hygiene, and efficient handwashing.*

The information contained in this document is subject to change without prior notice.