

F209B



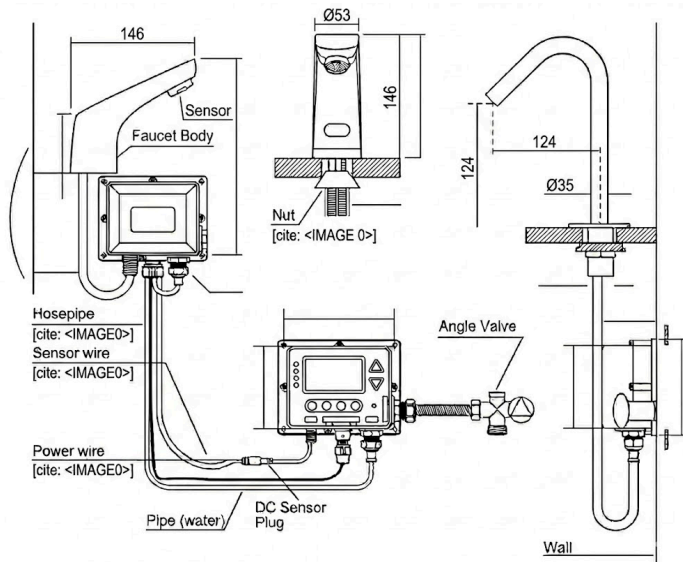
PRODUCT SPECIFICATIONS

- Finishes : **Chrome, Matt Black, or Stainless Steel**
- Deck mounted
- Easy installation
- Vandal-resistant
- Power Supply : **AC/DC**
- Hidden Aerator : **1.9 lpm / 0.5 gpm**
- Sensor Unit : **Hidden**
- Spout reach : **190mm**

WATER PARAMETERS

- Max. continuous flow : **60 sec**
- Water ON : **0.4 sec**
- Water OFF : **1.5 sec**
- Laser Sensing range : **max 250mm**
- Water pressure : **0.1 – 0.8MPa static**
- Ambient temperature : **1-55 °Celsius**

TECHNICAL SPECIFICATIONS

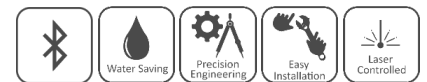


PRODUCT CONFIGURATION OPTIONS

- Bluetooth functionality
- Laser Sensor : **Optimized Detection Performance**
- Laminar Water Flow : **1.0 lpm / 0.22 gpm**
(no aerator)
- Power Supply AC only
- Power Supply DC only
- Fittings (Drainer, P-Trap)

COMPLIANT WITH

- Chrome surface : **pass 24h Acid Salt Spray Test**
- WRAS
- LEED
- WELS 3 Ticks ✓✓✓



The Inspirione tap series sets the new benchmark for public restroom solutions. With the first actuation of the Smart Tap, soap is released and afterwards a smooth water flow for a clean, hygiene, and efficient handwashing.

The information contained in this document is subject to change without prior notice.

Ecnflo Systems Pte Ltd
401 Commonwealth Drive Haw Par Technocentre #01-01 (S)149598 Tel : 6396 3738 | WhatsApp : 8661 5982

Living Atelier by Ecnflo Systems (Phnom Penh)
61-64 Norodom Blvd Corner St 306, Sangkat BKK1, Khan Chamkarmon, Phnom Penh, Cambodia Tel: +855 81 233 886