

C01018



COMPACT STRUCTURE

- Finishes : **Ceramic White**

- Series : **Rio**
- Bowl Shape : **Elongated**
- Body Material : **Vitreous China (1250 °C high-temperature firing for high density and superior load-bearing)**

- Installation : **Floor-standing back-to-wall (Concealed cistern configuration)**

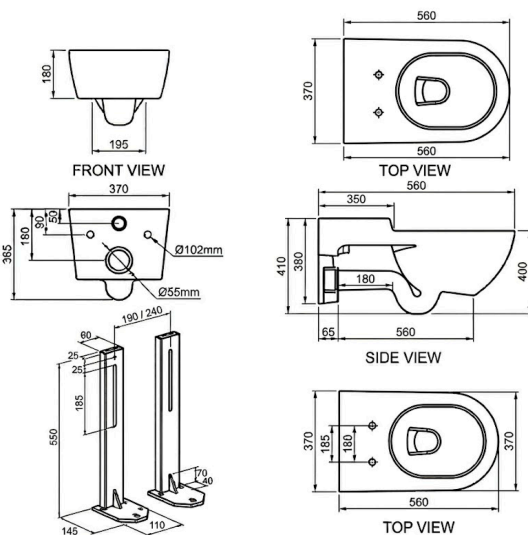
- Flushing System : **Wash-Down Flushing Technology**
- Rough-in : **P-trap, 180 mm**
- Seat & Cover : **Soft Closing Seat & Cover**

DIMENSIONS & TECHNICAL SPECIFICATIONS

- Depth : **540 mm**
- Width : **370 mm**
- Height : **400 mm**
- Glaze Thickness : **Up to 1 mm (High stain and dirt resistance coating)**

- Water Absorption Rate : **Less than 0.3%**
- Water Consumption : **Eco-friendly 3 / 6L Dual Flush (compatible with 3.5 / 5L demand setups)**

TECHNICAL SPECIFICATIONS



PRODUCT CONFIGURATION OPTIONS

- Transformable from P-trap to S-trap using a P60391N conversion kit (range up to 150 mm)



The Inspirione tap series sets the new benchmark for public restroom solutions. With the first actuation of the Smart Tap, soap is released and afterwards a smooth water flow for a clean, hygiene, and efficient handwashing.

The information contained in this document is subject to change without prior notice.